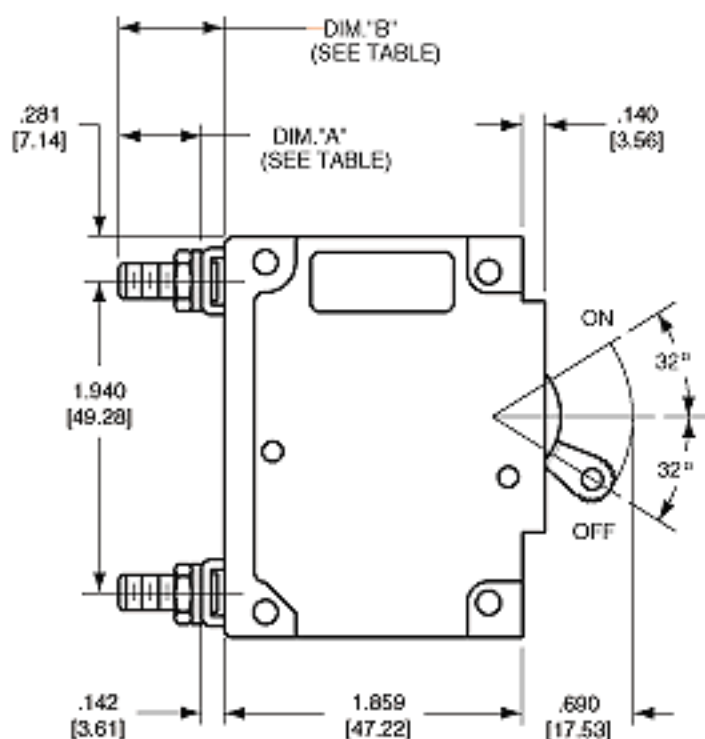


Standard Stud Terminal



Screw Stud Thread	Dimension "A" (See Table)	Dimension "B" (See Table)
M6	.510	.652
1/4 - 20	.545	.687
M5	.510	.652
10 - 32	.545	.687

Note: Each outer terminal is supplied with a flatwasher, tooth lockwasher and a hex nut.

Single Pole

