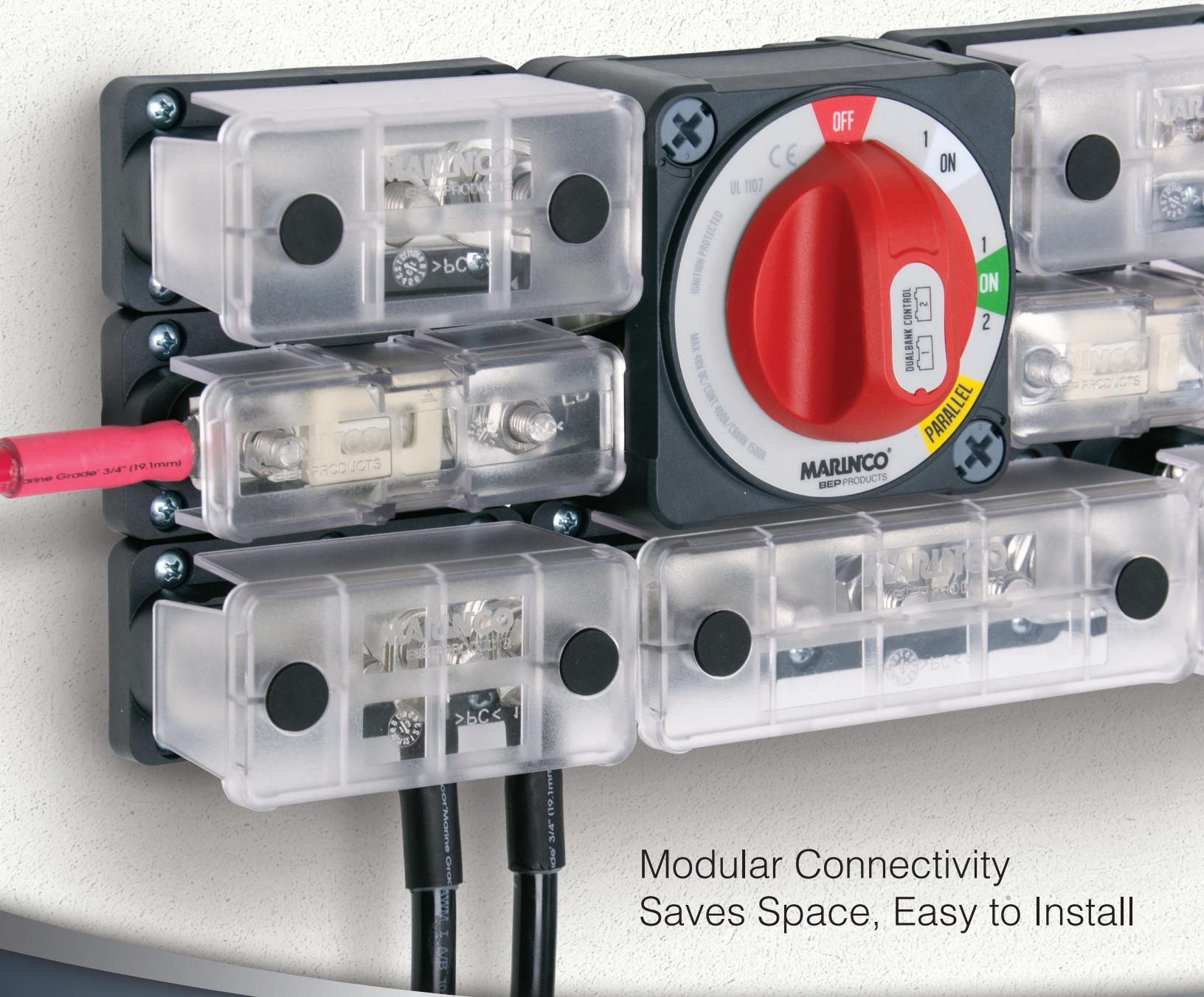


Pro Installer Series



Modular Connectivity
Saves Space, Easy to Install

new product:

Introducing Pro Installer Series

Onboard power demands continue to increase as boaters request the comforts of home on their boats.

Marinco and BEP looked at the common products used by electrical installers every day and made significant improvements to their design and construction. The result is a robust product line with greater capacity and extended product life.

The valuable space saved onboard gives builders or installers greater flexibility when designing power systems. Since Pro Installer modular assemblies are designed for fast, flexible installation in tight spaces, it's easy to "cluster" products and reduce their mounting footprint. The common interconnection height enables solid link bars to connect multiple Pro Installer products — a smart design feature for watercraft. Like all Marinco products by BEP, you can be assured of durable construction engineered specifically to handle the challenging marine environment. High-temperature, fiber-reinforced base material provides strength and chemical resistance.

All Pro Installer products include a common interconnection height, label recess on the cover, ability to "cluster" and a compact footprint. All studs, washers and nuts are made of stainless steel.

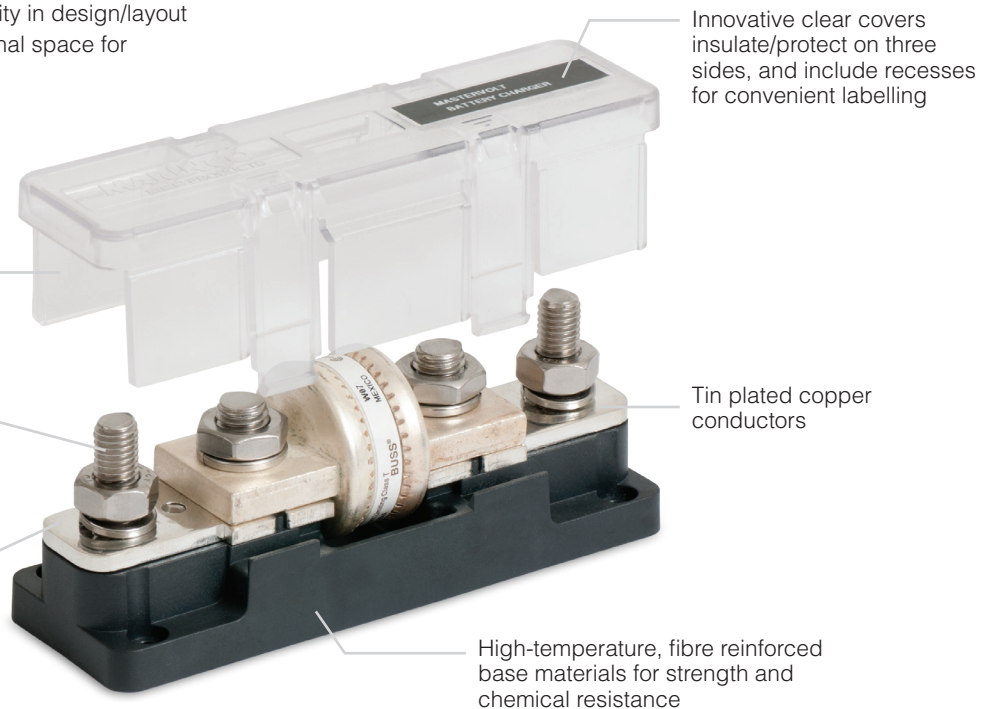
Features and Benefits:

- Common interconnection height makes it easy to 'cluster' products
- Modular assemblies offer unrivalled flexibility in design/layout
- Reduced individual footprints save additional space for the most compact installations
- Robust construction for the harshest of marine environments

Covers feature snap-out side skirts for additional cable entry as required

Stainless steel studs, washers and nuts

Radiused bar ends and generous stud lengths improve cable routing options for large cables



new product:

Pro Installer Products

Heavy-duty Busbars

pg 6



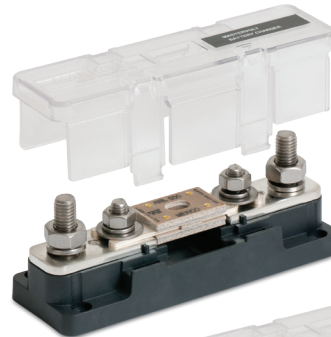
"Z" Busbars

pg 7



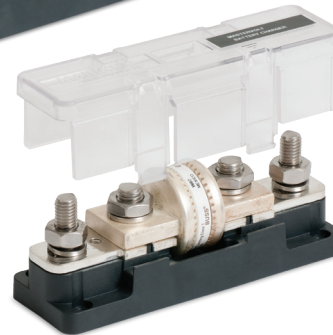
ANL Fuse Holders

pg 8



Class-T Fuse Holders

pg 9



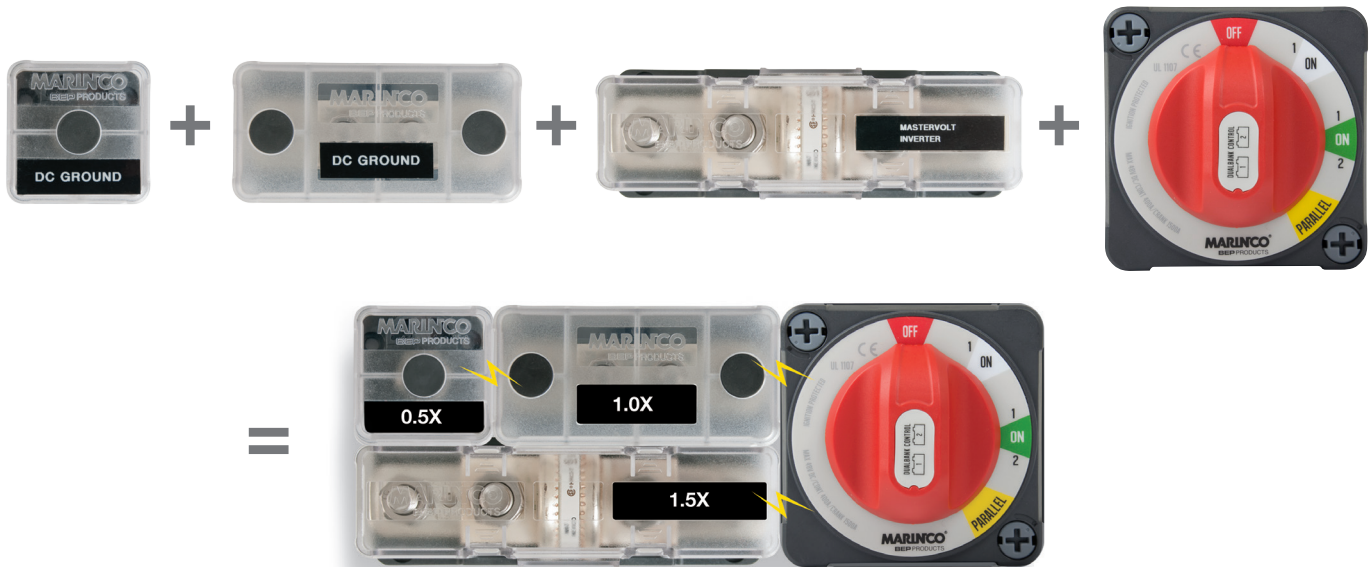
Insulated Studs

pg 10



new product: Ability to Cluster

Typical Cluster example



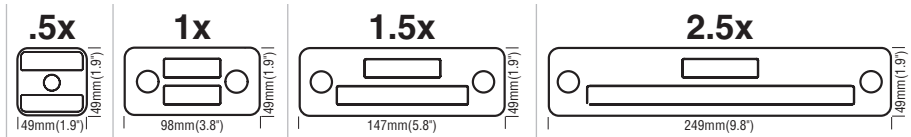
"The Maringo Pro Installer range has already proven itself to be easy to work with and saves mounting space on our projects. This has reduced installation time giving a professional custom finish for a fraction of the cost."

"Having standardized bar height and footprints makes clustering the Maringo Pro Installer range simple. Assemblies can be easily made up on the bench and installed in place rapidly."

James Bourke
On Board Marine Group Limited
Hong Kong

new product: Footprints

Product Footprints



Product Footprints		.5x	1x	1.5x	2.5x
Heavy-duty Busbars					
777-BB4S-500	4 Stud		✓		
777-BB3S-650	3 Stud		✓		
777-BB5S-650	5 Stud			✓	
777-BB8S-650	8 Stud				✓
Z Busbars					
777-Z10W-200	10 Way		✓		
777-Z18W-200	18 Way			✓	
ANL Fuseholders					
778-ANL	ANL		✓		
778-ANL2S	ANL with additional cable clamping studs			✓	
778-ANLTP	ANL Through Panel		✓		
Class-T Fuseholders					
778-T2S-400	225–400A			✓	
778-T2S-600	450–600A			✓	
Insulated Studs					
IST-8MM-1S	Single 8mm	✓			
IST-8MM-2S	Double 8mm	✓			
IST-10MM-8MM	Double 10mm/8mm	✓			
IST-10MM-1S	Single 10mm	✓			
IST-10MM-2S	Double 10mm	✓			
IST-8MM-1SPT	Single 8mm with power tapping plate	✓			
IST-10MM-1SPT	Single 10mm with power tapping plate	✓			

new product:

Heavy-duty Busbars



Heavy-duty Busbars

Pro Installer Heavy Duty Busbars provide a robust means to connect (bus) together the multitude large cables found in modern electrical installations. These offer unrivalled flexibility to meet the requirements of any installation, saving significant cost and space.

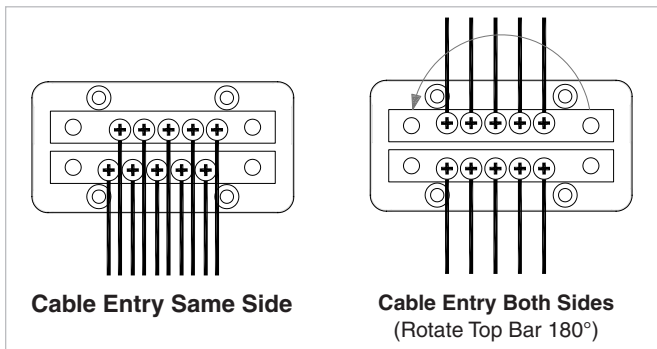
Description	Item #	Footprint*
3 Stud Busbar	777-BB3S-650	1 x
4 Stud Busbar	777-BB4S-500	1 x
5 Stud Busbar	777-BB5S-650	1.5 x
8 Stud Busbar	777-BB8S-650	2.5 x

* See page 5 for Footprint details

Specifications:

- 4 Stud-500A busbar: 8mm (5/16") stainless steel studs
- 3, 5, and 8 stud-650A busbars: 10mm (3/8") stainless steel studs
- Studs treated with anti-seize lubricant
- 50 VDC
- Tinned CDA102 Copper conductors
- Stainless steel studs, washers, nuts for longevity in the marine environment
- Generous stud lengths, metric threads

new product: Z Busbars



Z Busbars

Marinco BEP Products have created a completely new concept for small cable termination with the Z-Bar range. These busbars maximize power density by utilizing high and low level bars to optimize cable runs, saving even more installation space.

Description	Item #	Footprint*
10 way, Z Busbar	777-Z10W-200	1 x
18 way, Z Busbar	777-Z18W-200	1.5 x

* See page 5 for Footprint details

Specifications:

- 10 Way and 18 Way versions
- 4x 6mm (1/4") studs with anti-seize lubricant
- 4mm (5/32") terminals with captive lock washers
- 200A maximum per bar (2x 200A)
- 50 VDC
- Tinned CDA102 Copper conductors
- Stainless steel studs, washers, nuts for longevity in the marine environment
- Metric threads

new product:

ANL Fuse Holders



ANL Fuse Holders

These ANL fuseholders offer unparalleled circuit protection choice for both the installer and end-user. The innovative Through-Panel fuseholder (778-ANLTP) provides superior access for fuse inspection and replacement. Small electrical loads are catered to with the compact 778-ANL unit while additional cable security and highest capacity is provided by the 778-ANL-2S, featuring additional studs for separate clamping of cables.

Description	Item #	Footprint*
Fuseholder, ANL	778-ANL	1 x
Fuseholder, ANL with additional cable clamping studs	778-ANL2S	1.5 x
ANL Through Panel	778-ANLTP	1 x

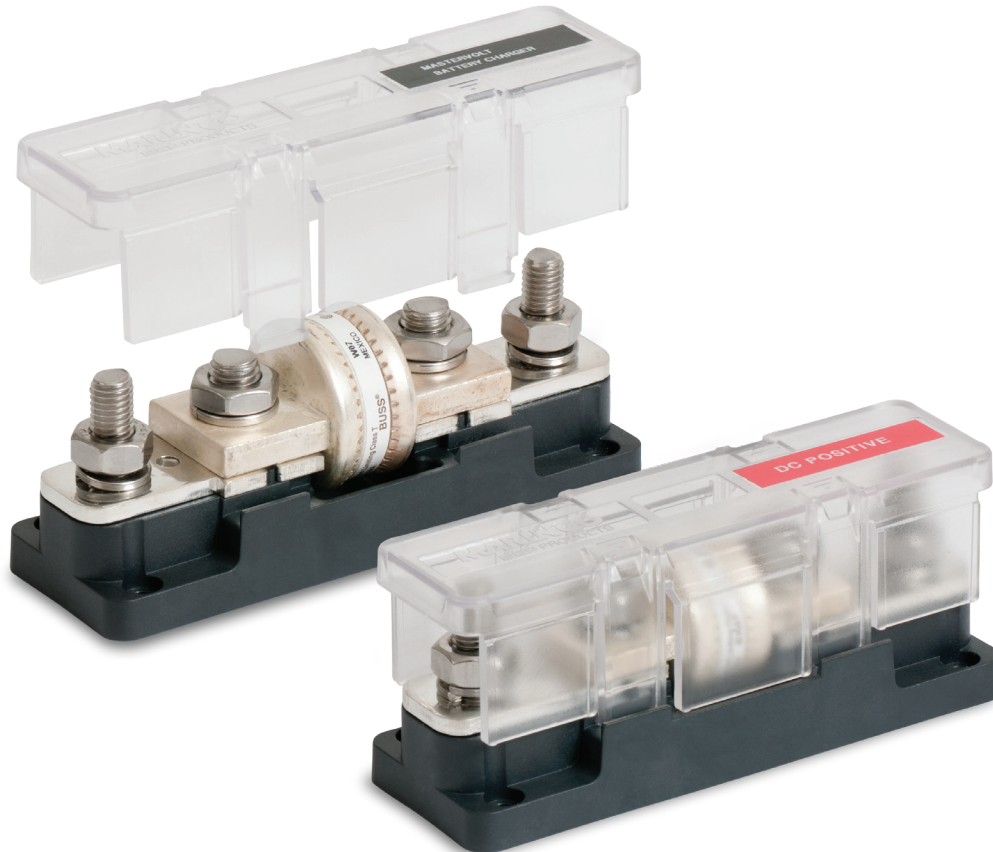
* See page 5 for Footprint details

Specifications:

- Cable connection studs: Shared 8mm (5/16") on 778-ANL.
- 10mm (3/8") studs on 778-ANL-TP and 778-ANL-2S
- Fuse mounting studs: 8mm (5/16")
- Double washers allow any ANL fuse brand to be fitted
- Fuse type: ANL or ANN (fast blow)
- Swinging fuse style allows changing fuse without removal of fastening nuts
- Amperage: determined by fuse sizing, 778-ANL: 35-300A, 778-ANL2S: 35-750A, 778-ANLTP, 35-500A
- 50 VDC (or determined by fuse fitted)
- Tinned CDA102 copper conductors 778-ANL-2S
- Tinned CDA260 high conductivity brass conductors 778-ANLTP

new product:

Class-T Fuse Holders



Class-T Fuse Holders

Class-T fusing provides the ultimate protection for high power circuits, and where extremely fast fuse blow characteristics are required. Modern battery technologies such as Mastervolt Lithium Ion or AGM are capable of very high short circuit currents which may be beyond the interrupt rating of standard circuit breakers and other types of fuse. Two sizes of Pro Installer Class-T Fuseholder are available which accommodate fuses from 225-400 Amps, and 450-600 Amps respectively.

Description	Item #	Footprint*
Fuseholder, Class-T 225-400A	778-T2S-400	1.5 x
Fuseholder, Class-T 450-600A	778-T2S-600	1.5 x

* See page 5 for Footprint details

Specifications:

- Cable connection studs: 10mm (3/8") studs
- Fuse mounting studs: 10mm (3/8") 225-400A holder, 12mm (1/2") 450-600A holder
- Fuse type: Class-T (JLLN / TJN / A3T)
- Maximum amperage: Determined by fuse sizing, either 400A or 600A
- 50 VDC
- High temperature, fibre reinforced plastic base provides strength and chemical resistance
- Clear polycarbonate cover
- Tinned CDA102 Copper conductors
- Stainless steel studs, washers and nuts for longevity in the marine environment
- Metric threads

new product: Insulated Studs



IST-10MM-8MM



IST-8MM-1SPT



IST-10MM

Insulated Studs

Pro Installer Insulated studs are available in single and twin stud versions, featuring 8mm (5/16") and 10mm (3/8") variants. A double stud version with 10mm and 8mm studs is also included for extending outboard motor cables. The Power Tapping Plate single

stud models provide convenient termination points for additional small cables. Pro Installer family features are replicated with these insulated studs, generous stud length, modular footprint, insulating covers with label recess, common interconnection height.

Description	Item #	Footprint*
Single 8mm	IST-8MM-1S	0.5 x
Double 8mm	IST-8MM-2S	0.5 x
Double 10mm/8mm	IST-10MM-8MM	0.5 x
Single 10mm	IST-10MM-1S	0.5 x
Double 10mm	IST-10MM-2S	0.5 x
Single 8mm with power Tapping Plate	IST-8MM-1SPT	0.5 x
Single 10mm with power Tapping Plate	IST-10MM-1SPT	0.5 x

* See page 5 for Footprint details

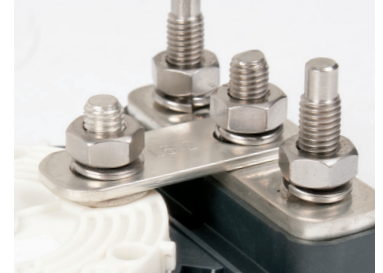
Specifications:

- Power tapping plate: 4x 4mm (5/16") terminals
- Maximum current through power tapping plate: 50A per terminal (4x 50A maximum)
- Note: no power passes through the stud so no amp rating is given
- 50 VDC
- High temperature, fibre reinforced plastic base provides strength and chemical resistance
- Clear polycarbonate cover with snap-out extra cable access
- Stainless steel studs, screws and nuts for longevity in the marine environment
- Insert moulded studs with metric threads
- Double studs feature 'snap out' insulating partition, to allow linking of studs

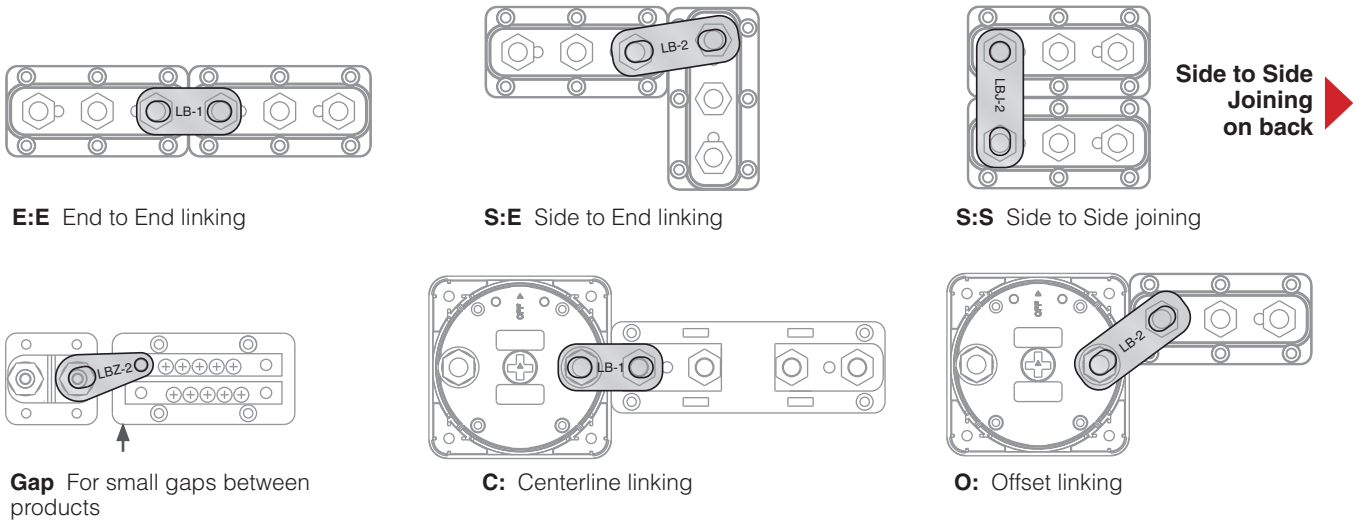


new product: Link Bars

Pro Installer link bars provide the fastest and most economical way of connecting the Pro Installer line of products to save space and allow for the most compact installations. The common interconnection height of Pro Installer components allow link bars to quickly and easily convert a group of different products into a functional cluster. Pro Installer link bars are made of high purity copper and are tin plated for optimum marine electrical performance.



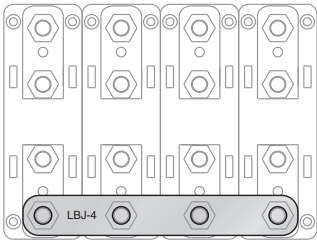
End to End Linking Diagrams & Selection Guide



	3, 4, 5, & 8 Stud Heavy Duty Busbars	10 & 18 Way Z Busbars	778-ANL Fuseholder	ANL Through Panel Fuseholder	ANL & Class T Double Stud Fuseholders	Single Insulated Studs	Double Insulated Studs	EZ Mount Battery Switch On/Off
Busbars								
3, 4, 5, & 8 Stud Heavy Duty Busbars	LB-1	LBZ-2	LB-1	—	LB-1 (4 Stud Gap)	LB-2	S:E LB-1 Gap LB-1	O: LB-2 C: LB-1
10 & 18 Way Z Busbars	LBZ-2	LBZ-1	LBZ-2	—	LBZ-2	—	Gap LBZ-2	LBZ-2
Fuseholders								
778-ANL Fuseholder	LB-1	LBZ-2	LB-2	—	LB-1	LB-2	S:E LB-1 Gap LB-1	O: LB-2 C: LB-1
ANL Through Panel Fuseholder	—	—	—	LB-2	—	—	—	—
ANL & Class T Double Stud Fuseholders	LB-1	LBZ-2	LB-1	—	LB-1	LB-2	S:E LB-1 Gap LB-1	O: LB-2 C: LB-1
Insulated Studs								
Single Insulated Studs	LB-2	—	LB-2	—	LB-2	LBJ-2	LB-1	LBJ-2 C: LB-2
Double Insulated Studs	S:E LB-1 Gap LB-1	Gap LBZ-2	S:E LB-1 Gap LB-1	—	S:E LB-1 Gap LB-1	LB-1	S:S LBJ-2 Gap LB-1	O: LB-1 C: Gap LB-1
EZ Mount Battery Switches								
EZ Mount Battery Switch On/Off	O: LB-2 C: LB-1	LBZ-2	O: LB-2 C: LB-1	—	O: LB-2 C: LB-1	O: LBJ-2 C: LB-2	O: LB-1 C: Gap LB-1	LB-1
EZ Mount Selector Battery Switch - "Battery" Studs	LB-2 (4 Stud LB-1)	LBZ-2	LB-2	—	O: LB-1 C: LB-2	LBJ-2	LB-1	—
EZ Mount Selector Battery Switch - "Common" Stud	O: LB-2 C: LB-1	LBZ-2	O: LB-2 C: LB-1	—	O: LB-2 C: LB-1	O: LBJ-2 C: LB-2	O: LB-1 C: Gap LB-1	—

new product: Link Bars

Side to Side Joining Diagram & Selection Guide



	Marking	OEM #	Qty
Joining 2 products	LBJ-2	779-LBJ-2-B	5/pkg
Joining 3 products	LBJ-3	779-LBJ-3-B	1/pkg
Joining 4 products	LBJ-4	779-LBJ-4-B	1/pkg
Joining 5 products	LBJ-5	779-LBJ-5-B	1/pkg
Joining 6 products	LBJ-6	779-LBJ-6-B	1/pkg

Specifications

Marking	OEM #	Description	Function	Max Amps	L x W in	L x W mm
LB-1	779-LB-1-B	Link Bar 31-34.7 mm	Short Link Bar 8 & 10mm studs	650	2.2"x1.0"	56x25 mm
LB-2	779-LB-2-B	Link Bar 35.5-42.5 mm	Medium Link Bar 8 & 10mm studs	650	2.8"x1.0"	69x25 mm
LBJ-2	779-LBJ-2-B	Joiner 2-way 46-50 mm	Long Link Bar 8 & 10mm studs	650	3.0"x1.0"	74x25 mm
LBZ-1	779-LBZ-1-B	Link Z Bar to Z Bar	Joins Z Bars End to End, Back to Back	250	2.0"x0.5"	49x12 mm
LBZ-2	779-LBZ-2-B	Link Z Bar to Busbar or F-holder	Joins Z Bars to Busbars or F-holders	400	2.1"x1.0"	53x25 mm
LBJ-2	779-LBJ-2-B	Joiner 2-way	Side to Side joiner 2 products	650	3.0"x1.0"	74x25 mm
LBJ-3	779-LBJ-3-B	Joiner 3-way	Side to Side joiner 3 products	525	4.9"x1.0"	123x25 mm
LBJ-4	779-LBJ-4-B	Joiner 4-way	Side to Side joiner 4 products	450	6.9"x1.0"	172x25 mm
LBJ-5	779-LBJ-5-B	Joiner 5-way	Side to Side joiner 5 products	400	8.8"x1.0"	221x25 mm
LBJ-6	779-LBJ-6-B	Joiner 6-way	Side to Side joiner 6 products	350	10.8"x1.0"	270x25 mm

