

TS1 PROGRAMMING (TS1-PRGC)



COMPANY NAME: _____

DATE: _____

CUSTOMER NAME: _____

PHONE NUMBER: _____

1. FLUID TYPE: WATER PETROL
 WASTE DIESEL
2. OUTPUT TYPE: VOLTAGE 0 - 5V RESISTIVE 240 - 33R
 RESISTIVE 10 - 180R RESISTIVE 10 - 300R

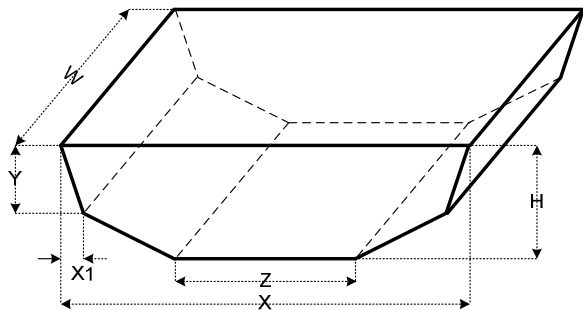
PLEASE TICK
ALL APPROPRIATE
BOXES

3. TANK TYPE NUMBER: _____ (PLEASE SELECT FROM THE FOLLOWING TANK TYPES)

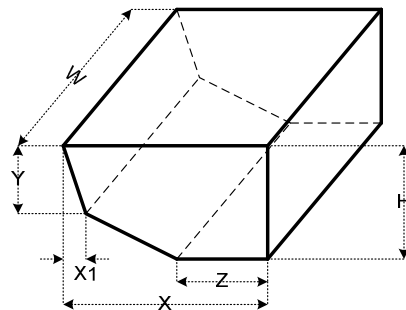
4. POSITION OF SENDER: PLEASE INDICATE ON TANK DRAWING ABOVE

5. TANK MEASURES: X = _____ Y = _____ Z = _____ W = _____ H = _____

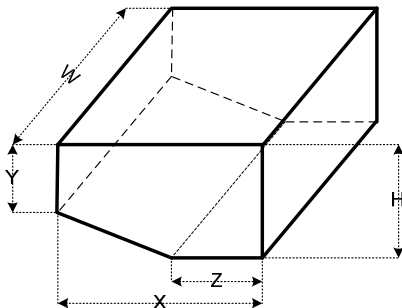
X1 = _____ X2 = _____



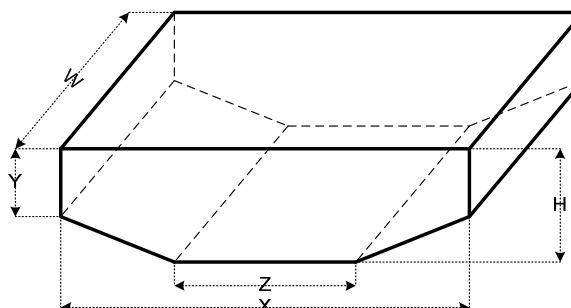
①



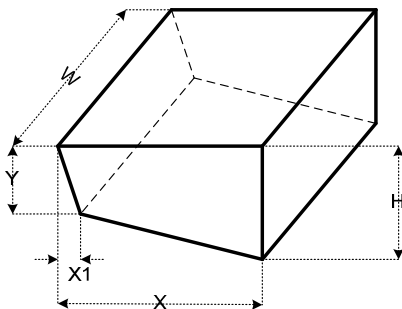
②



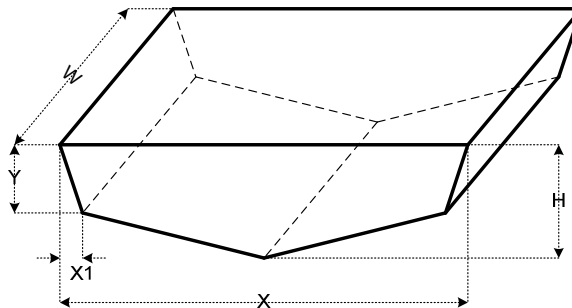
③



④



⑤



⑥

